

Data Sheet

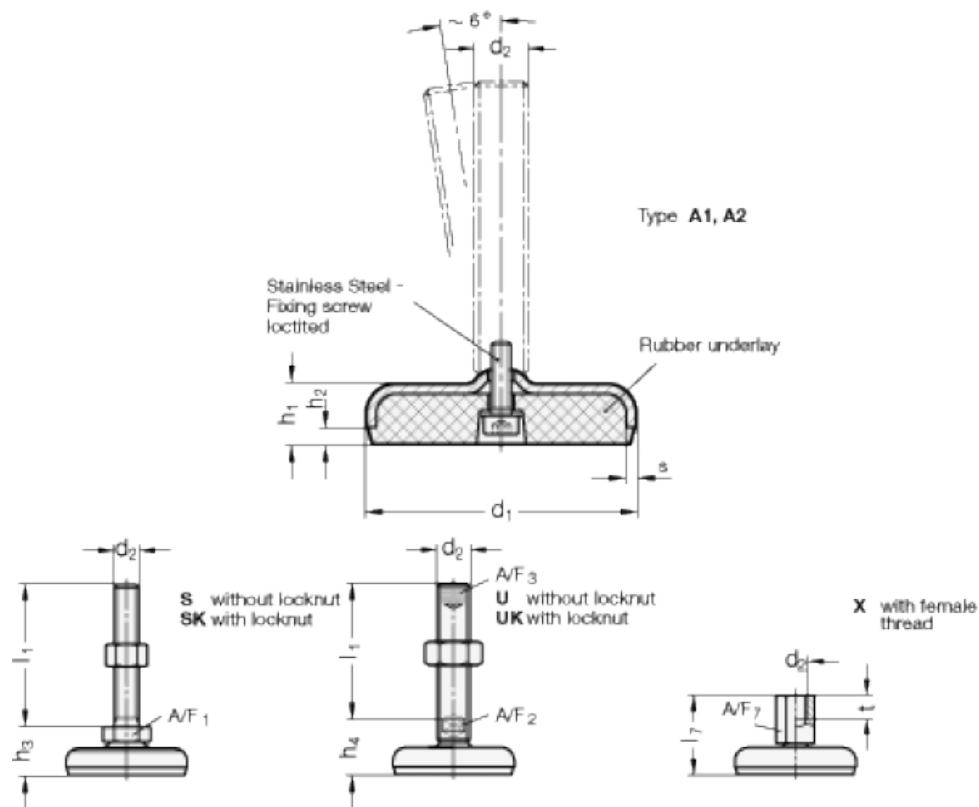


Article number: 2030100M1050A1SK

Description: E+G levelling foot
GN 30-100-M10-50-A1-SK

Note: SK With nut, External hexagon at the bottom

Measures



A/F1	=	17
d1	=	100
d2	=	M10
h1	=	20
h2	=	6
h3	=	28
l1	=	50
s	=	3